

List of Contents

combibloc



5

Combined Three-Piece Maintenance Unit

Size I and II

2 + 3

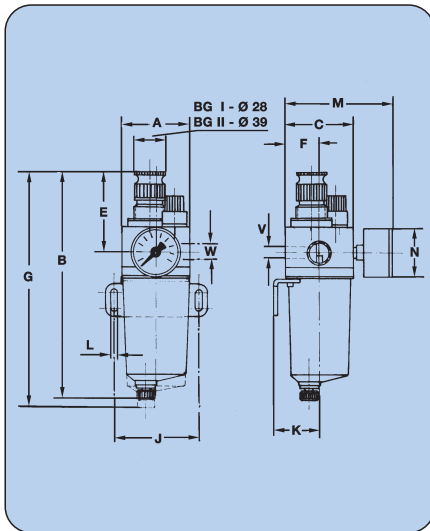
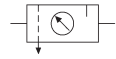


COMPRESSED GAS, s.r.o.

predaj
a servis
kompresorov



Viac na www.kompresory-servis.sk



Dimensions [mm]

BG	I	II
A	66	93
B**	200	295
C	69	96
E	65	105
F	34,5	48
G**	220	325
J	82	112
K	43	61
L	6,5	9
M	105	135

** -internal-automatic drain valve +10mm
 -semi-automatic drain valve +10mm
 -external-automatic drain valve A +90mm

Combined three-piece maintenance unit consisting of a filter, pressure regulator and lubricator, united in one device in extremely space-saving design. Two sizes with different connection threads. **Double bowl** for filter condensate and oil supply out of plastic (polycarbonate), optionally with bowl protection or metal bowl. **Drain valves** for condensate either as manually-operated, semi-automatic, fully-automatic internal or fully-automatic external drain valve. **Filter elements** out of sintered bronze available with two different pore diameters. **Pressure regulator** with three different pressure ranges. Adjustment can be locked by pressing the handwheel. Version with **lockable handwheel** in arrested state is also available. Bracket mounting possible. Gauge can be mounted on back or front. **Filling oil** under pressure is possible (use a spray oilcan).

Technical Data

	I	II
Nominal rates of flow	1400NI/min	3400NI/min
Max. operating pressure (P₁)	Plastic bowl Metal bowl	16 bar (PN16) 25 bar (PN25)
Operating temperature	Plastic bowl Metal bowl	0°C to +50°C 0°C to +90°C
Effective bowl volume	Filter Lubricator	25 cm ³ 75 cm ³
Mounting position		vertical
Direction of flow		arrow
Nominal width		DN8
Dependency upon supply pressure		< 3%
Reversing control hysteresis		~ 1 bar
Weight	1255g	2690g
Material		
Seals		NBR
Housing		zinc alloy
Filter element		sintered bronze
Plastic bowl		polycarbonate

Recommended oil

 see chapter 8

Oil containers made of plastic (polycarbonate) are attacked by oil additives, anti-frost or synthetic oils. We therefore recommend normal lubricating oils of approx. 22 to 32cSt at 40°C (in the case of striking tools up to 68cSt). Metal containers should be used for other oils, especially for low-temperature oils. Also recommended is a metal lubricator adjusting cap.

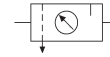
Combined Three-Piece Maintenance Units with plastic bowl and manually-operated drain valve

Pressure range	Size I		Size II			
	G ^{1/4} *	G ^{3/8} *	G ^{1/2}	G ^{1/2} *	G ^{3/4} *	G ¹
0,5- 6 bar	423.222	423.232	423.242	423.262	423.282	423.292
0,5-10 bar	423.223	423.233	423.243	423.263	423.283	423.293
0,5-16 bar	423.224	423.234	423.244	423.264	423.284	423.294

special option - how to order:

423.xxx x					
	M	metal bowl			
	S	bowl protection			
	A	lockable			
	2	0,5- 6 bar			
	3	0,5- 10 bar	pressure range		
	4	0,5- 16 bar			
	BG I	2 G ^{1/4} *		6 G ^{1/2} *	
		3 G ^{3/8} *		8 G ^{3/4} *	Thread
		4 G ^{1/2}		9 G ¹	
	2	manually-operated drain valve			
	3	internal-automatic drain valve (1-12 bar)			
	5	semi-automatic drain valve (0,5-25 bar)			
	6	external-automatic drain valve A (4-16 bar)			

Combined Three-Piece Maintenance Unit combibloc



ewo

5

Compressed Air Conditioning

5 combibloc

Size	I	II
Accessories		
Bracket mounting on housing	423-60	423-102
Bowl protection	423-107	423-108
Metal bowl with seal and manually-operated drain valve	423-296	423-297
	423-298	423-299
	423-300	423-301
Oiler dome out of plastic	423-179	423-179
	423-65	423-65
Reductions		
G ^{1/2} x G ^{3/8} **	423-57	-
G ^{1/2} x G ^{1/4} **	423-58	-
G1 x G ^{3/4} **	-	423-99
G1 x G ^{1/2} **	-	423-100

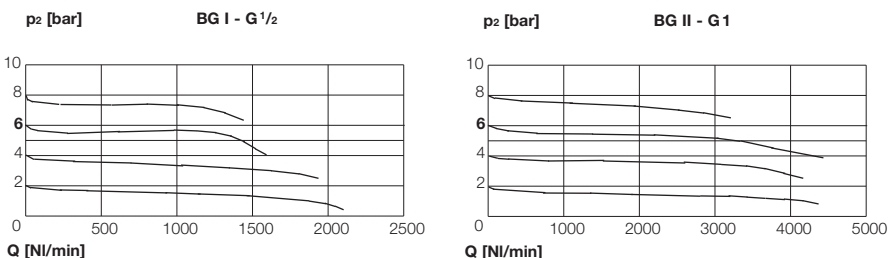
** Upon request also with NPTF-thread

Main spare parts

Plastic bowl with seal and manually-operated drain valve	423-282	423-283	
	423-288	423-289	
	423-284	423-285	
	423-290	423-291	
Gauges	ø50	ø63	
	Display range 0 - 10 bar	55	214
	0 - 16 bar	85	215
	0 - 25 bar	96	216
Filter elements	40 µm (mounted)	394-6	394-16
	5 µm (reduced flow rate)	394-40	394-37
Valve complete with stem	423-342	423-79	
Diaphragm complete with gliding ring	480-92	423-77	



Rates of flow $p_1 = 10 \text{ bar}$



COMPRESSED GAS, s.r.o.

**predaj
a servis
kompresorov**



Viac na www.kompresory-servis.sk

Drain valves, see chapter **7**

